



THE SSC CONTROLS COMPANY

PREMIER INDUSTRIAL CONTROLS

Product Information Sheet

C880-0725 TIG Welding Foot Control (for Kemppi R11F)

The C800 foot controls are dependable workhorses with high-performance characteristics. The C880-0725 is designed to replace the Kemppi R11F remote foot control with a 7-pin connector. NOTE: This model does not have a resistor in the plug. Some R11F models require a resistor to provide pedal identification depending on the software version used in the welder. Please check with Kemppi before you purchase to make sure this will work.

The design features a durable 16-gauge steel case, an oversized top traction area, non-slip 3M® traction pads, comfortable at-rest and operating foot positions, heavy-duty cable, and high-precision components. Simply press the pedal to activate the gas contactor and increase current; release the pedal to turn off the weld output and activate the afterflow cycle. Includes a 25-foot cable and 7-pin plug.

- Patented design is tested to one million lifecycles.
- Designed and manufactured under a quality system certified to ISO 9001 requirements.
- Replaces the Kemppi R11F remote foot control (does not have resistor in plug).
- 1-year warranty on parts and labor.
- Made in USA.



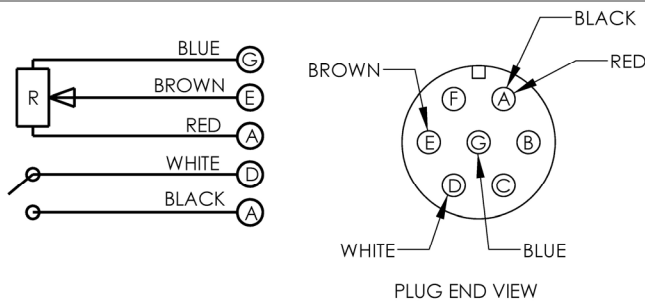
Dimensions, L x W x H, in. (cm.):
8.8 x 5.5 x 4 (22.4 x 14.0 x 10.2)

Weight, pounds (kg.): 6.1 (2.8)

Certification: CSA NRTL/C

Patent: 5,535,642

Finish: powder paint, matte black



7-Pin plug

Notes: Potentiometer maximum value is 10,000 ohms ($\pm 10\%$). Red and black wires are both soldered to the same terminal. Note: This pedal does not have a resistor in the plug. Check with Kemppi to make sure this will work with your welder.



www.r-techwelding.co.uk

Available in UK from:
R-Tech Welding Equipment Ltd
www.r-techwelding.co.uk
Tel: 01452 733933

© The SSC Controls Co., 2017