



# THE SSC CONTROLS COMPANY

PREMIER INDUSTRIAL CONTROLS

## Product Information Sheet

### C850-0825 TIG Welding Foot Control

The C800 foot controls are dependable workhorses with high-performance characteristics. The C850-0825 is designed for use with Thermal Arc® TIG welding machines which use the Thermal Arc® 10-4015 and 10-4016 foot controls. Designed for the pro, these rugged and dependable controls provide a tremendous value. They contain a patented design that improves low-current welding while providing classic arc control.

The design features a durable 16-gauge steel case, oversized top traction area, non-slip 3M® traction pads, comfortable at-rest and operating foot positions, heavy-duty cable, and precision components. Simply press the pedal to activate the gas contactor and increase current; release the pedal to turn off the weld output and activate the afterflow cycle. Includes a 25-foot cable and 8-pin plug, which mate to the power source.

- Patented design is tested to one million lifecycles.
- Designed and manufactured under a quality system certified to ISO 9001 requirements.
- Replaces Thermal Arc® part numbers 10-4015, 10-4016, and 600285.
- 1-year warranty on parts and labor.
- Made in USA.



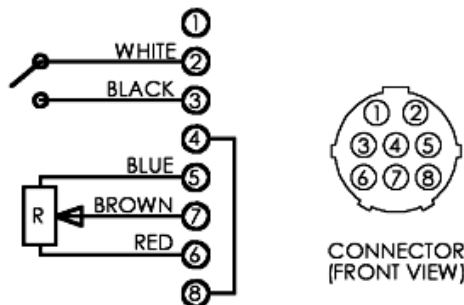
**Dimensions, L x W x H, in. (cm.):**  
8.8 x 5.5 x 4 (22.4 x 14.0 x 10.2)

**Weight, pounds (kg.):** 6.1 (2.8)

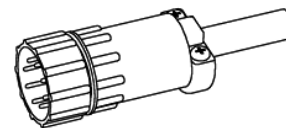
**Certification:** CSA NRTL/C

**Patent:** 5,535,642

**Finish:** powder paint, black



**Wiring Diagram**  
**C850-0825 Foot Control**



**8-pin Amp® connector**



**Warning:** Disconnect input power to the power source before installing or removing this control.



www.r-techwelding.co.uk

Available in UK from:  
R-Tech Welding Equipment Ltd  
www.r-techwelding.co.uk  
Tel: 01452 733933

© The SSC Controls Co., 2014