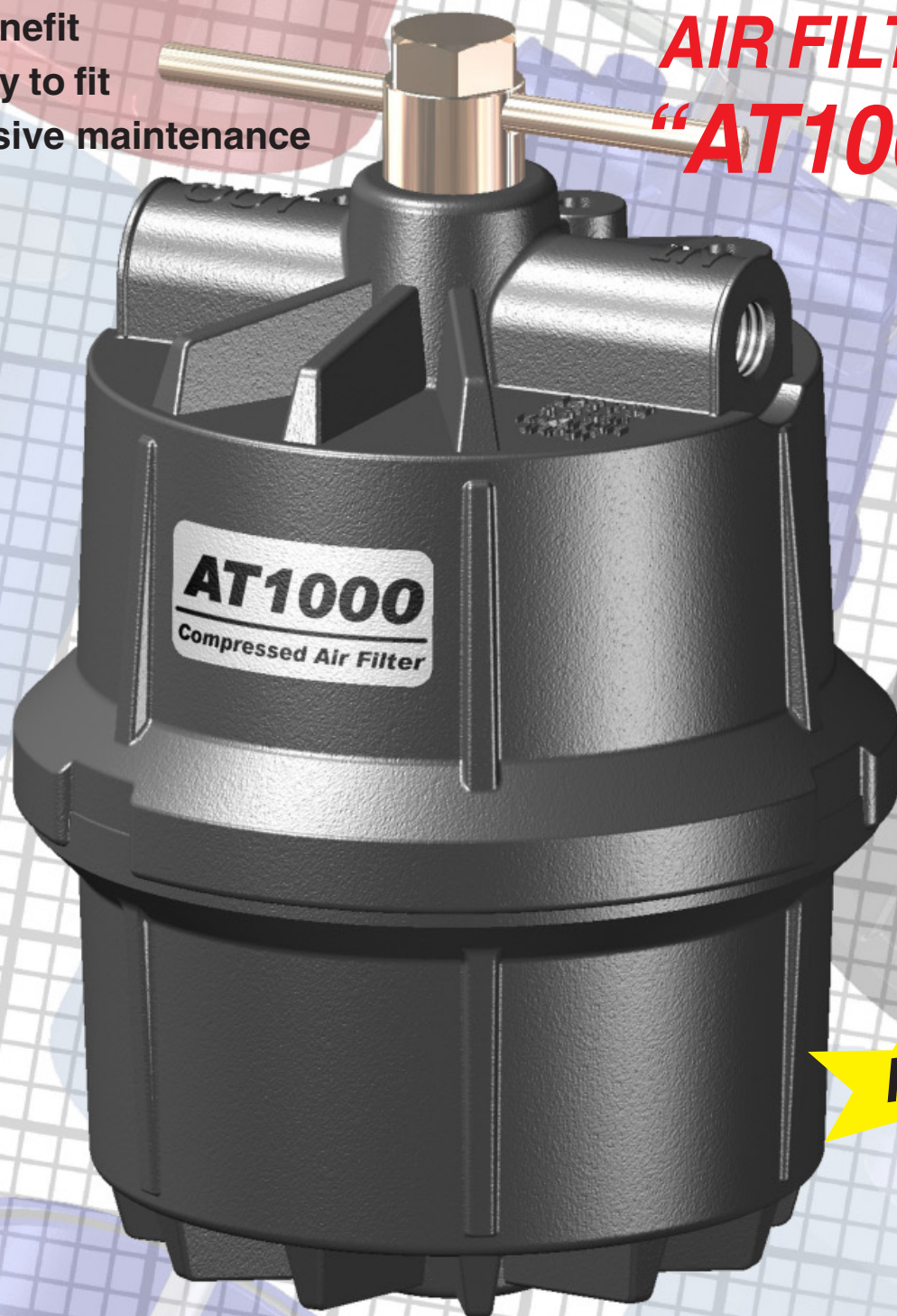


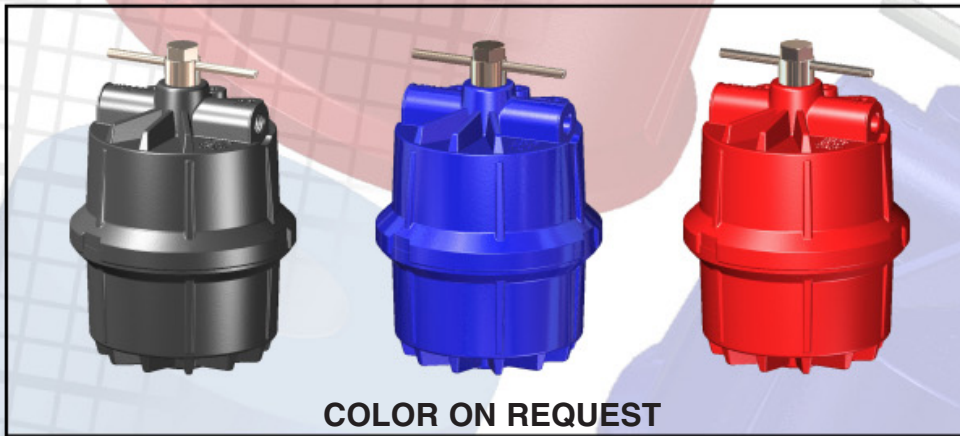
Great benefit
Very easy to fit
Inexpensive maintenance

AIR FILTER "AT1000"



NEW

- Designed to solve the plasma cutting problems.
- It removes oil aerosol, moisture and dust.
- It improves the cutting performance and preserves entirely the torch.



Packaging:

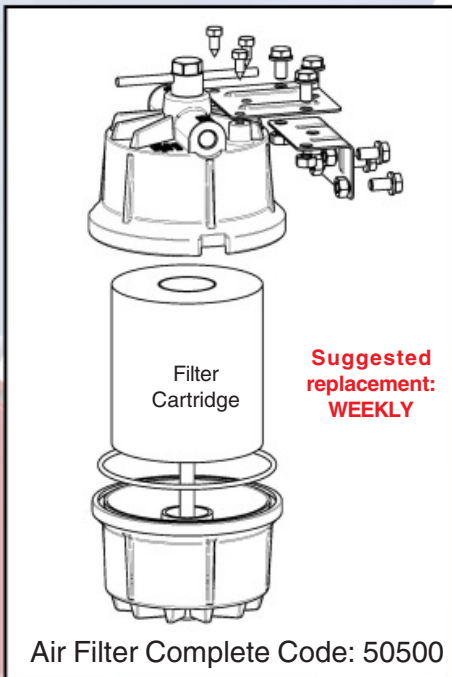
Air Filter AT1000
 Code: 50500-12
 Carton Box: 12 Filters
 Dimensions: 11" x 16.5" x h. 17.3"
 (cm 28 x 42 x h. 44)
 Weight: 43 lbs (19.5 kg)

Filter Cartridge

Code: 50505-8
 Carton Box: 8 Cartridges
 Dimensions: 8.58" x 8.58" x h. 9.61"
 (cm 21.8 x 21.8 x h. 24.4)
 Weight: 4.2 lbs (1.9 kg)

Code: 50505-48

Master Box: 8x6=48 Cartridges
 Dimensions: 17.72" x 26.38" x h. 10.43"
 (cm 45 x 67 x h. 26.5)
 Weight: 26.7 lbs (12.1 kg)



Data Sheet

Filtering Degree:	.01 µinch - 0.25 µm
Maximum Pressure:	125 PSI - 8.5 bar
Maximum Flow @ 80%:	2700 SCFH - 1250 l/min.
Temperature Range:	15-140F / -10 +60C°
Size Pipe:	1/4 NPT
Dimension:	Ø5.2" x 7.9" - Ø132 x 200mm

"AT 1000" is the perfect solution to the problems created by the contamination of the compressed air used in many plasma cutting systems.

It eliminates "sputter" caused by moisture and oil from compressed air lines.

It extends the electrode and nozzle life, with obvious benefits to the cut quality.

Designed to remove aerosol oil and moisture, "AT 1000" is a real benefit, entrapping particles as small as .01 microns inches.

With "AT 1000" torches last longer. Without this filter, at the end of this cutting session, inside the torch and torch head you have left condensed moisture, that can cause a short-circuit, with consequent rise of costs coming from the replacement of the torch head and the needed time to realize this operation.

"AT 1000" can filter up to 1250 liters a minute without reduction in pressure.

It's recommended to replace the filter cartridge every 5 to 7 days (max).

It's also very suitable for painters and use of pneumatic tools.

Our excellent knowhow in the production of plasma cutting torches and the consequent problems of air contaminant brought us to create the "AT 1000" being very effective and important for users of plasma cutting systems.